

DiamondPier

Quick Installation Overview

IMPORTANT: Read Full *Diamond Pier Installation Manual* and View the *Installation Video* at: www.DiamondPiers.com

Before You Purchase Page references refer to the Full Installation Manual

- 1. Know Your Soils** See "Normal Soil Conditions" (page 5) – 1500 psf min supporting soils.
- 2. Check Your Loads** "Residential Diamond Pier Load Chart" (page 6) shows Equivalency to Traditional Concrete Footings.
- 3. Get Building Permit from Local Municipality** Provide Diamond Pier model size and code compliance documentation. See "Use and Applications" (page 7).
- 4. Locate Buried Utilities** Determine safety zones and adequate clearances (page 8).

Documents to Submit with a Permit Application

- ESR-1895 Code Compliance Document
- Wisconsin UDC Approval Evaluation
- Detail Drawings and Load Chart
- See "Use and Applications" (page 7)

To Get Started You will Need...

• The Proper Sized Diamond Pier

Includes:

- 1 - Concrete Head
- 4 - Pins
- 4 - Plugs
- 4 - Caps



- **Driving Bit**
1-1/8" hex shaft



- **Demo/Breaker Hammer**
35 lb.+

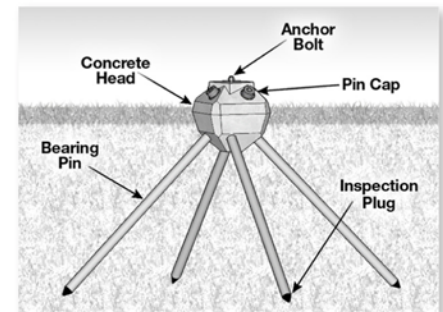


Ask dealer about rental

Other Common Tools Required...

- Square-Edge Shovel
- Torpedo Level
- Pipe Wrench
- Ear Protection
- Sledgehammer
- Tape Measure
- Proper Safety Goggles
- Insulated Gloves & Protective Clothing

Diamond Pier® Detail



Install in Minutes A minimum two-person crew is recommended. See Full Installation Instructions pages (11-14).



- 1. Install plugs in pins** to prevent soil from entering as they are driven into the ground. Inspectors can then use a tape measure to verify pin length after installation.
- 2. Lay out string approx. 12–14" above the ground** on center location of post/pier to allow for quick reference point.
- 3. Remove soil** the same size as bottom half of concrete head, approx. 6" depth. Note: Pier can be buried for aesthetic reasons, but access to top of pier needs to be maintained. Concrete slabs, patios, and other products installed **MUST NOT** interfere with the Diamond Pier system and the attached post/beam assembly. Expansion joints are commonly used to protect the system. Proper drainage must also be maintained.
- 4. Set concrete head in hole** and, keeping the pin centered in the driving hole, carefully set each pin 6–12" into soil tapping with a short grip on sledgehammer until pier is locked into a level position. Note: The edges on the flat top of the concrete head do not have to align exactly with the sides of the post or post bracket as long as the bracket is fully supported by the concrete for proper weight distribution. Piers can be nested next to each other to provide more loading, but if closer than 3' on-center, a 13% load reduction should be applied to each pier.
- 5. With driving bit attached to the automatic hammer, drive pins in evenly from side to side in equal increments, approx. 1–2' each until pin is approx. 6" out.** Then double check pier position before final driving of the pins to 3/4" out for cap attachment. Note: One person should hold pin to limit vibration to pier while pin is driven.
- 6. Be sure the pin length is inspected per permit requirements before caps are applied.**

Removal/Repositioning if Obstruction Encountered

If a pin stops moving when being driven in, STOP driving the pin. Put pencil mark on pin by head to indicate if pin is moving. With other pins part way in, use the automatic hammer for approx. 10–20 seconds, or give the pin one or two firm square hits with the sledgehammer. If it still will not move, then remove and reposition the pier. To remove, spin and pry a pin simultaneously using a pipe wrench and pry bar. If the obstruction is close to the surface, it may be dug up and removed. Then recompact the soils with the sledgehammer, and reset the pier. See Installation Manual (page 13) and Removal Video available at www.DiamondPiers.com.



Register Your Product Warranty See information at www.DiamondPiers.com

WARNING: Do not install Diamond Pier foundations before all underground utilities have been located, marked, and de-energized. See "Locate Buried Utilities" in the full Installation Manual at www.DiamondPiers.com

DiamondPier®

FOUNDATION SYSTEM

From
this...



...to this



Before Lunch!

Complete Projects 1 to 2 Days Faster

No Holes to Dig

Perfect for DIY Projects

Professional Builders
Choose Diamond Pier

Uplift & Lateral
Resistance
Increased
Dramatically

Inclined
Pin Pile Design
Distributes Loads
Over a

**Greater
Bearing Area**
than Conventional Concrete
Footings

Uplift & Lateral
Resistance
Increased
Dramatically

Code
COMPLIANT
MODELS
DP-50
AND DP-75

GreenSpec®
LISTED